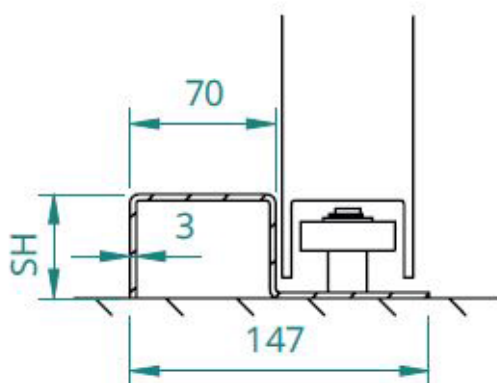
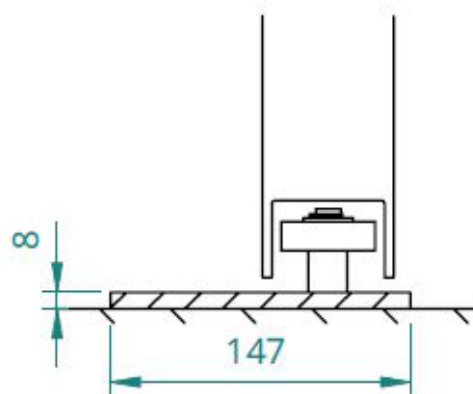


SILL TYPES. MVS A60

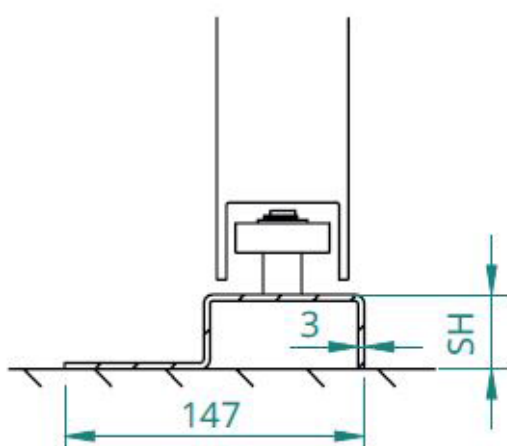
NORMAL SILL
type: **S10**



FLAT SILL
type: **S5**



U SHAPED SILL
type: **S11**



SH = SILL HEIGHT