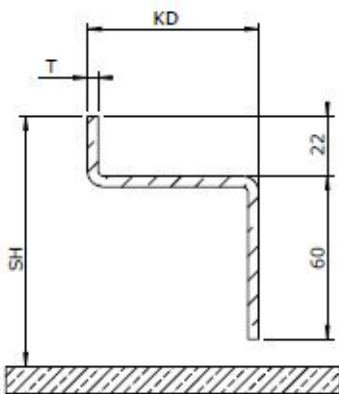
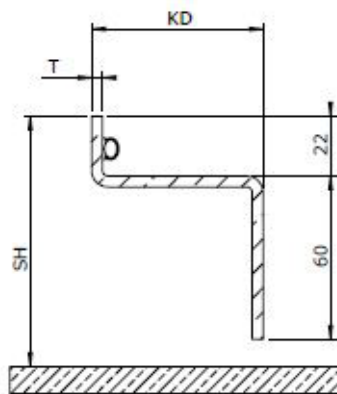


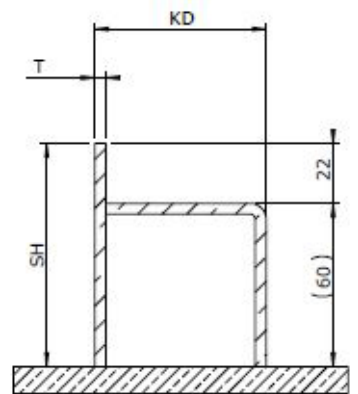
# SILL TYPES. A0 / A60



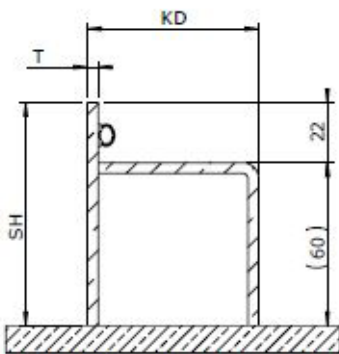
**Sill Type: S1**



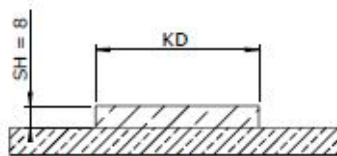
**Sill Type: S2**



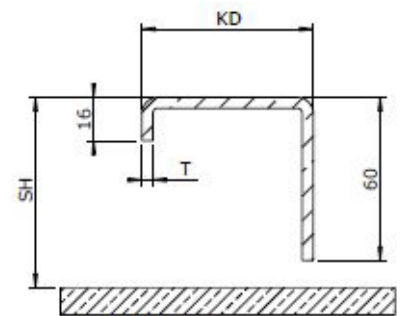
**Sill Type: S3** SH STD: 82mm  
SH MIN: 42mm



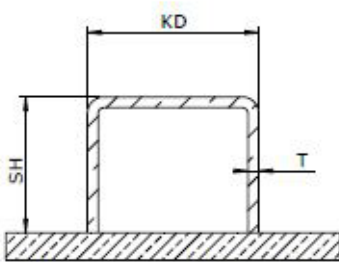
**Sill Type: S4** SH STD: 82mm  
SH MIN: 42mm



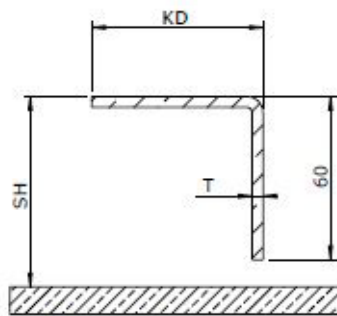
**Sill Type: S5**



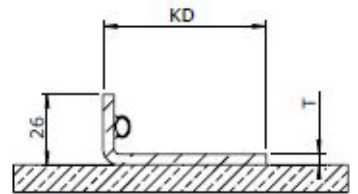
**Sill Type: S6**



**Sill Type: S7** SH STD: 40mm  
SH MIN: 20mm



**Sill Type: S8**



**Sill Type: S9**

KD (MV 4298 N/G) = 49 mm  
 KD (MV 4360/4361 N/G) = 73 mm  
 KD (MV 4360/4361 W) = 63 mm\*

GASKET FOR GASTIGHT AND WEATHERTIGHT DORR TYPES